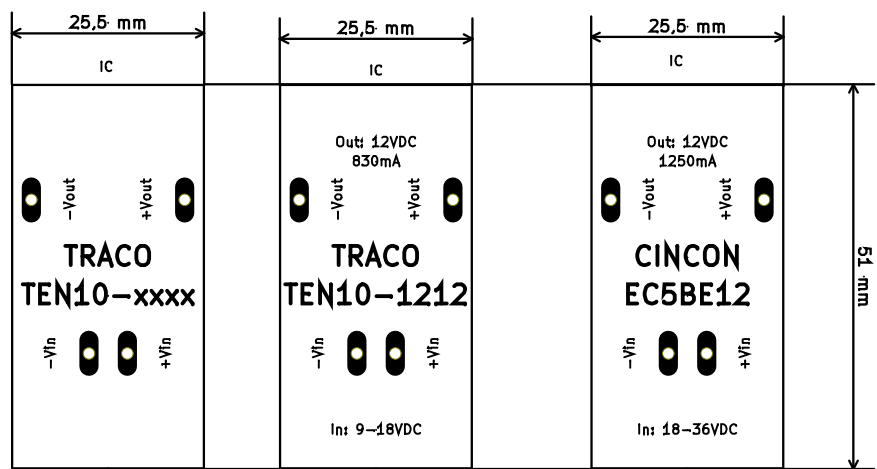
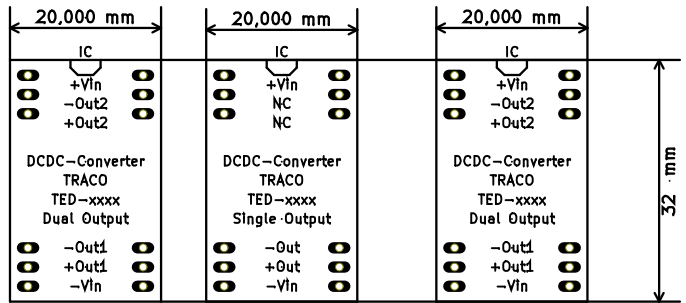


DCDC-Conv\_CINCON\_EC6C11\_18-36Vto5V5A\_RevA      DCDC-CONV\_ST\_GS-R400V-2\_Obsolete\_RevA\_24Mar2011

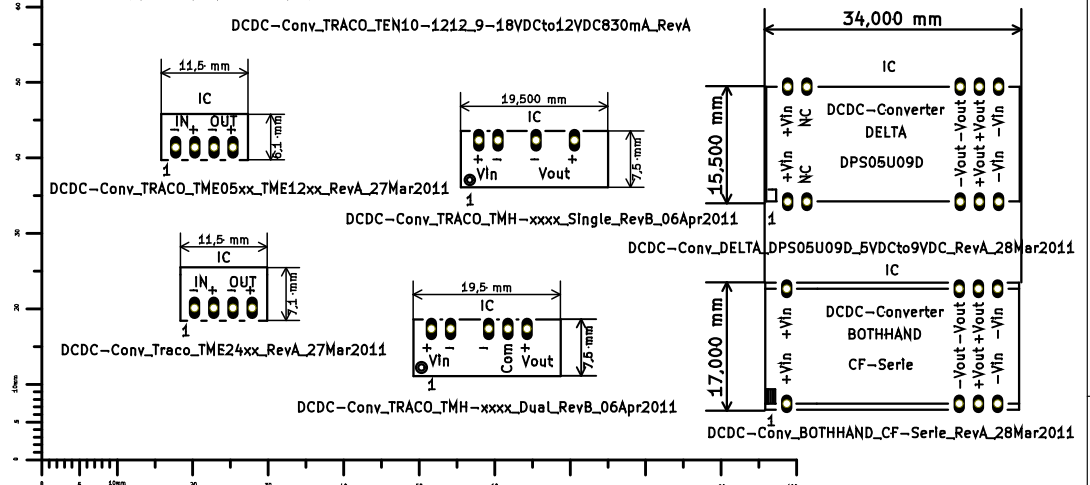


DCDC-Conv\_TRACO\_TEN10-xxxx\_RevA      DCDC-Conv\_CINCON\_EC5BE12\_18-36VDCto12VDC1250mA\_RevA



DCDC-Conv\_TRACO\_TED-xxxx\_Dual\_RevA      DCDC-Conv\_TRACO\_TED-xxxx\_Dual\_RevA

DCDC-Conv\_TRACO\_TED-xxxx\_Single\_RevA



DCDC-Conv\_TRACO\_TME05xx\_TME12xx\_RevA\_27Mar2011      DCDC-Conv\_TRACO\_TMh-xxxx\_Single\_RevB\_06Apr2011

DCDC-Conv\_TRACO\_TME24xx\_RevA\_27Mar2011      DCDC-Conv\_TRACO\_TMh-xxxx\_Dual\_RevB\_06Apr2011

DCDC-Conv\_DELTA\_DPS05U09D\_5VDCto9VDC\_RevA\_28Mar2011      DCDC-Conv\_BOTHHAND\_CF-Serie\_RevA\_28Mar2011

1:1 Print! Check dimension by controlling the gauge!  
 KiCAD Footprints of DCDC-Converters from the file  
 DCDC-Converter\_RevB\_06Apr2011.mod  
 Author: Bernd Wiebus / Udem / Germany / 14 Jun Apr 2011



GNU-GPL NO WARRANTY!

File: DCDC-Converter_RevB_14Jun2011.brd	
Sheet: 1/1	
Title:	
Size: A4	Date: 14 jun 2011
KiCad E.D.A. pcbnew (2011-04-29 BZR 2986)-stable	Rev:
	Id: 1/1